

# SOLAR MODULE

## Silicon Thin-film

### Kaneka K60



#### Guarantee

- 25 years' power warranty (80%)\*
- 12 years' power warranty (90%)\*
- 5 years' product guarantee\*

#### Quality

- IEC 61646 tested and certified
- safety class II for 530 V system voltage

#### High performance

- power tolerance +10%... -5%
- higher yield on plant thanks to higher power output on delivery
- high yields even at high module temperatures

#### Ecological advantage

- Extremely low consumption on material ⇒ energy payback time less than 2 years

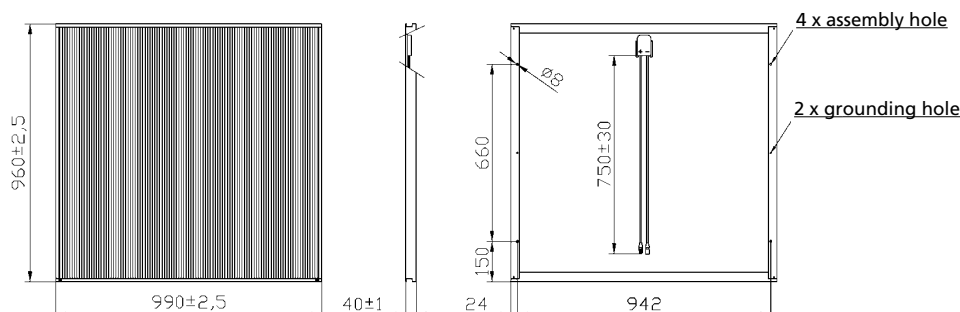
#### Design

- Homogeneous colouring of frame and module surface ⇒ high-class, harmonic appearance



## Kaneka K60 – Your advantages at a glance

- delivered ready for connection with cables and Multi-Contact plug-in connectors
- integrated bypass diodes
- power tolerance +10%... -5%
- power warranties – 25 years (80%), 12 years (90%)\*
- 5 years' product guarantee\*
- IEC 61646 tested and certified
- safety class II for system voltage up to 530 V
- 100% end control
- higher yield on plant due to higher power output on delivery
- high yields even at high module temperatures
- ecological advantage – extremely low material consumption-energy payback time less than 2 years



### Attention:

The laser lines must run vertically and the module has to be installed with at least 5° inclination. Please observe the installation instructions.

Electrical values under standard test conditions:  $1000 \text{ W/m}^2$ ;  $25^\circ\text{C}$ ; AM1,5.

Electrical power values +10% ... -5%.  
Other electrical values  $\pm 10\%$ .

Subject to modifications that represent progress.

\* The complete and individual valid guarantee conditions are relevant, which will be handed out by your IBC-representative on request.

## Technical data

		Stabilised values	Initial values
Nominal peak power	(Wp)	60,0	79,0
Guaranteed minimum power	(Wp)	57,0	75,05
Nominal voltage	(V)	67,0	74,0
Nominal current	(A)	0,90	1,04
Open-circuit voltage	(V)	92,0	96,0
Short-circuit current	(A)	1,19	1,22
Temperature coefficient of $I_{sc}$	(%/K)		+0,075
Temperature coefficient of $U_{oc}$	(mV/K)		-280
Temperature coefficient of $P_{max}$	(%/K)		-0,23
Maximum system voltage	(V)		530
Length	(mm)		960
Width	(mm)		990
Height	(mm)		40
Weight	(kg)		14
Assembly holes $\varnothing 8$ mm	(pieces)		4

Article number

240040060