

Module clip MK-A HR II TYPE FS4

New production process:
cost-efficient, reliable and safe



Benefits of MK-A HR II

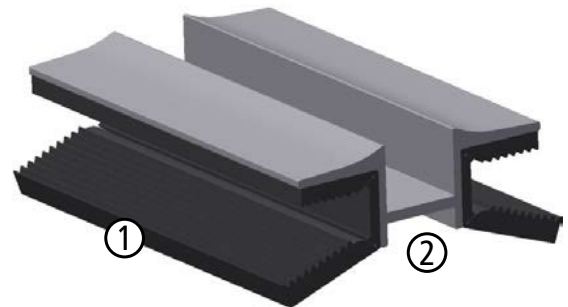
- EPDM rubber ensures a secure hold of the solar modules
- Low clip weight with best structural behavior
- Resource conservative and compact design
- Practical end stop to prevent module damages
- Highest quality for competitive pricing
- Optional anti-theft system
- Certified by First Solar®



Proven millionfold – In operation worldwide under extreme conditions

Our successful module clip for frameless pv panels has been reengineered. The new module clip **MK-A HR II** is the result of our manufacturing know-how and close cooperations with module manufacturers and solar EPCs for years. The clip module clip fits seamlessly to the photovoltaic mounting structure of Jurchen Technology and other commercially available standard solutions. The new revision **MK-A HR II** provides a safe, manufacturer certified hold of the new First Solar® FS 4 pv module series.

The superior concept of the **MK-A HR II** design brings benefit starting with installation: First Solar® thin-film solar modules can be installed safely due to the extended lower special developed rubber lip. The central connection point (customized for different screws) and the protection bar below help to avoid too high torques during installation. PV system performance is supported by shade-free screw connection.



- ① The extended lower special developed EPDM rubber lip guarantees an easy and secure installation.
- ② Practical protection bar avoids extreme torsional moments and ensures the required clamping force permanently.



Technical Data for MK-A HR II TYPE FS4

Module clip MK-A II HR	MK A HR II 80-7 FS4 Item number: 06006607	MK A HR II 80-9 FS4 Item number: 06006667
Hole diameter \varnothing suitable for	M6	M8
Available length of the module clip*	80 mm length tolerance DIN ISO 2768-1 +/- 1.5 mm	80 mm length tolerance DIN ISO 2768-1 +/- 1.5 mm
Possible module types	First Solar® module series FS 2, FS 3 and FS 4	First Solar® module series FS 2, FS 3 and FS 4
Utilizable for the following laminate thickness	6.8 mm (± 0.1 mm)	6.8 mm (± 0.1 mm)
Main casting material	Aluminium, weatherproof	Aluminium, weatherproof
Insert material	EPDM, UV-resistant and weatherproof Electrical resistance $> 1 \times 10^{14}$ Ohm * cm	EPDM, UV-resistant and weatherproof Electrical resistance $> 1 \times 10^{14}$ Ohm * cm
Shore hardness	55 Shore A ± 5 in the mounting area	55 Shore A ± 5 in the mounting area
Minimum support area	≥ 37 mm	≥ 37 mm
Usable as an edge clip without additional components	Yes	Yes
Optional anti-theft system	Yes	Yes
Advanced protection bar for load spreading	Yes	Yes

* Individual length possible accordingly.

Cross section MK-A HR II M (module middle clip):

Optional: Cross section MK-A HR E (module end clip):

