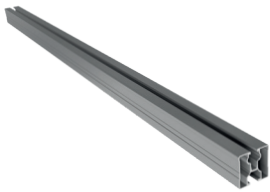




*We provide
a secure hold!*



Visit the
SL Rack website
www.sl-rack.com

Visit us on





With passion and heart

„Since 1996, our assembly systems have been continuously developed and improved to make the installers' everyday work easier. Efficiency and cost-effectiveness play a decisive role in this, as do speedy order processing and reliable delivery of the required components.

In the design of our components, we have consistently paid attention to screwability from above to ensure an undisturbed workflow. The SL Rack systems are easy to assemble, can be used universally, are intuitive to understand and can still be individually adapted to the respective assembly situation.“

Ludwig Schletter

Pioneer and mastermind
of PV mounting systems

SL Rack in numbers:



All products
you will find on:
www.sl-rack.com

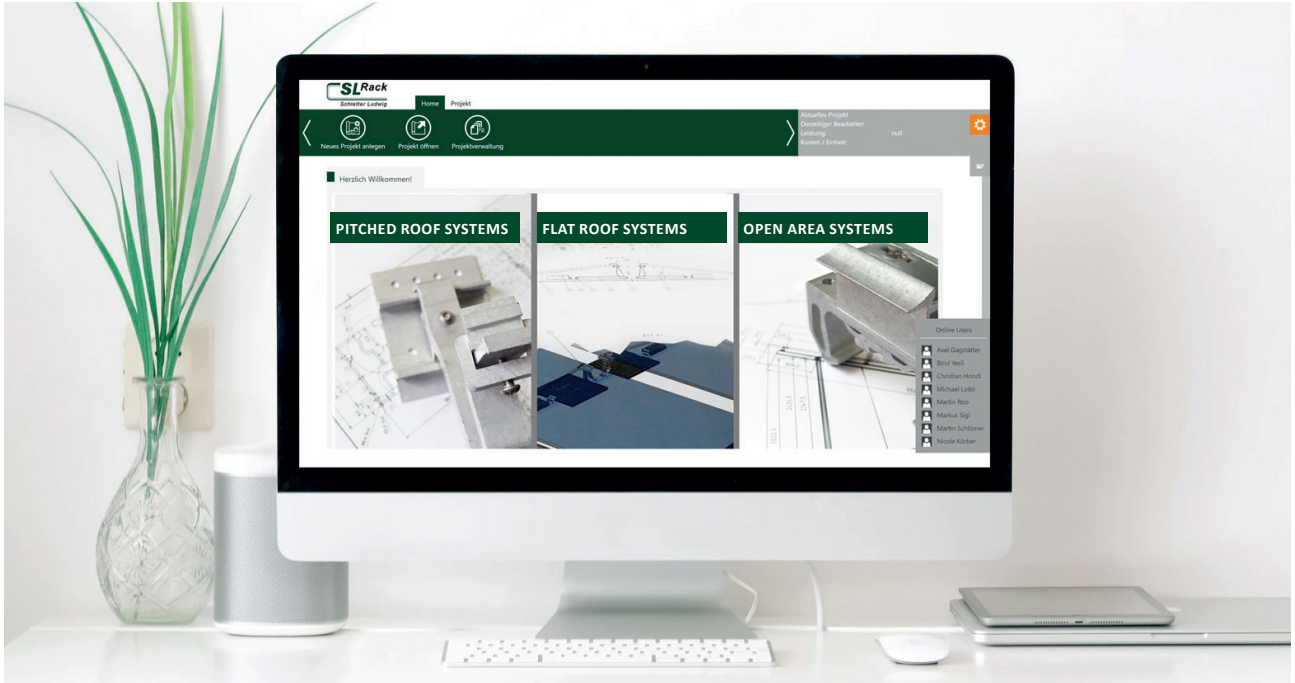
25..... Years of experience

20..... GW installed PV capacity worldwide

15..... Product specialists will be happy to advise you!

EU..... Almost completely produced in Germany and Europe

100% Made of stainless steel and aluminium-
extremely durable

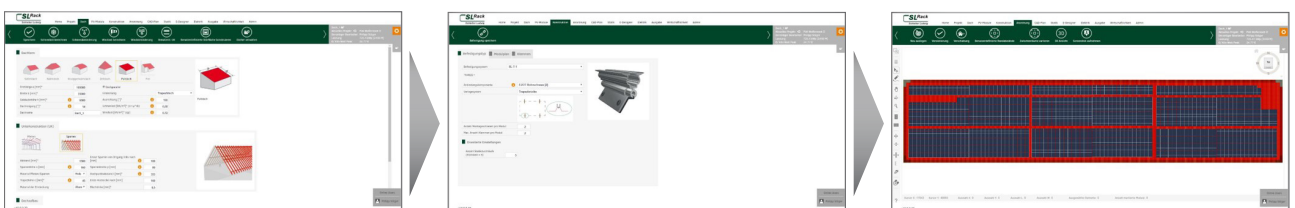


Welcome to our Solar.Pro.Tool.

For the planning and calculation of your roof project, you can use the the configurator **Solar.Pro.Tool**. is available on our website.



- For all pitched and flat roofs
- Only 10 steps to the goal
- In 2D or 3D (PDF, DXF, DWG)
- Building inspectorate approvals
- Exact calculation of ballasting for every flat roof shape
- Adequate plans and efficient material list



SL RACK ALPHA PLATE

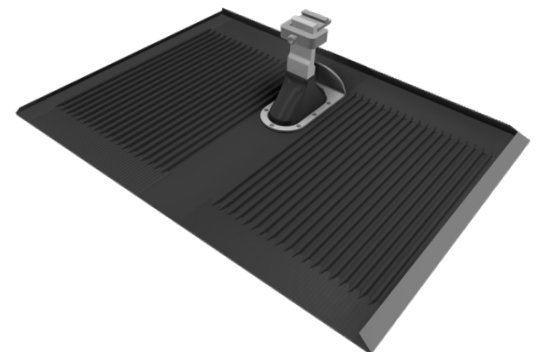
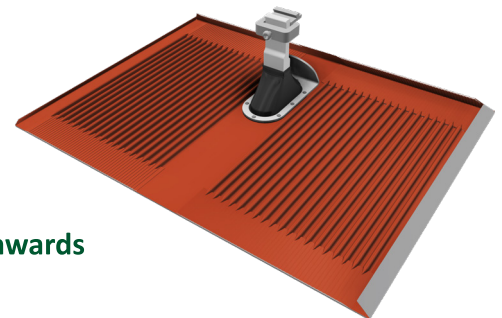
NEW!



SL Rack Alpha plate: Everything thought of!



- **Universal roof replacement panel for any type of tile and any roof pitch**
- **No mechanical cutting of tiles necessary**
- **Sealed with a riveted rubber sleeve, made of UV-resistant EPDM. The sides of the panel are raised at the edge to ensure water-tightness**
- **Wind calmed zones are created in the corrugated depressions; this allows the water to flow straight downwards**
- **Bracket is suitable for normal and very high snow loads of up to 1500 kg**
- **Available in brick red (similar to RAL 8004) and anthracite (similar to RAL 7016)**



- Horizontal and vertical attachment of the module carrier profiles
- With integrated snow and ice deflector
- Can replace up to two roof tiles
- Made of rolled aluminium sheet
- Quick and easy installation

SL Rack Alpha plate			
Part-no. 11500-00	Alpha plate	brick red RAL 8004	5 pieces per PU
Part-no. 11500-01	Alpha plate	anthracite RAL 7016	5 pieces per PU



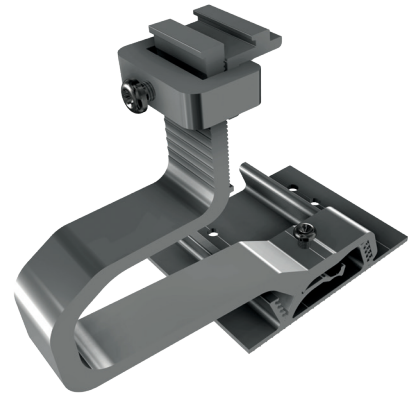
SL Rack YouTube Channel
[Watch videos >](#)

Do you already know SL Rack's YouTube channel? Here you will find assembly videos, product training and much more!

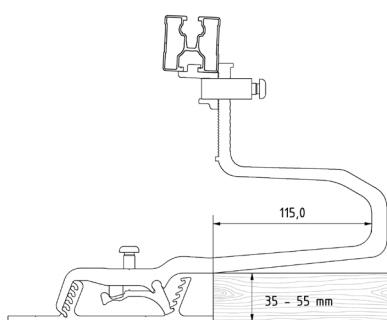
Optional clamp combination
for vertical module fastening in cross connection (Part-no. 11105-05) see page 17

Roof hooks Vario SL-Alu

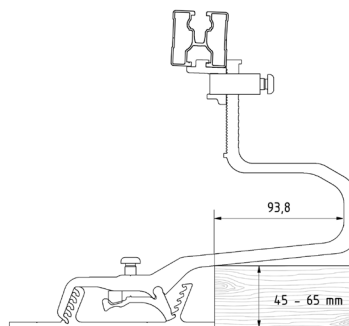
- Easy height adjustment of the foot from 35 -55 mm or 45-65 mm.
 - Can also be easily adjusted in height afterwards
 - A shim is not required
 - Due to greater screw spacing, use of 6 screws possible
 - Can also be screwed onto narrow beams (e.g. with nail trusses), with 6 mm screws even possible from a timber width of 36 mm
 - Only needs to be hooked in and then fixed in place
-
- Lateral displacement possible (thus particularly flexible)
 - Can be combined with rafter spanning profile, Part-no. 11101-2000 for maximum horizontal displacement
 - Made entirely of aluminium
 - Simplifies transport and assembly
 - Advantage of aluminium over stainless steel: Thickness of the material can be the forces to be absorbed, lower weight



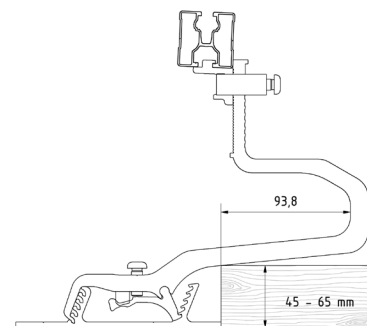
Roof hooks			
Part-no. 11135-01	Vario SL-Alu-35	35-55 mm Roof batten height	10 pieces per PU
Part-no. 11145-01	Vario SL-Alu-45	45-65 mm Roof batten height	10 pieces per PU
Part-no. 11145-02	Vario SL-Alu-45 X	45-65 mm Roof batten height, for heavy snow loads	10 pieces per PU



Vario SL-Alu-35



Vario SL-Alu-45

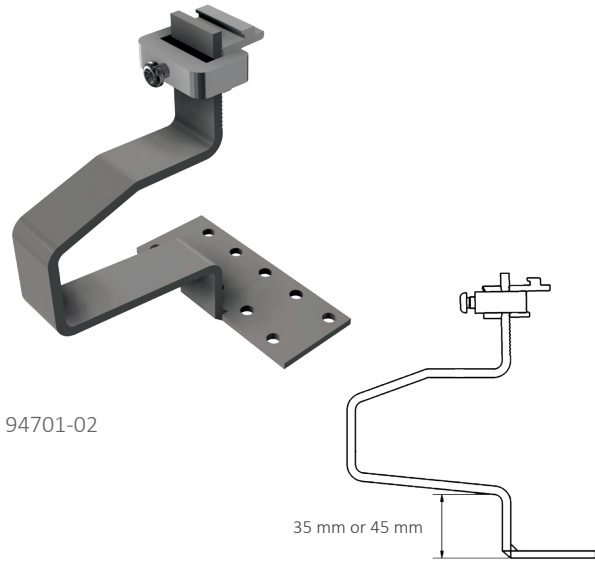


Vario SL-Alu-45 X

Roof hook SL-A2

- Screw connection of the clamping screw with TX 40
- Rail can be adjusted in height by clamping combination adjustable in height
- Proven and simple suspension technique
- Highest possible compatibility for common tiled roofs

- Inexpensive and reliable all-rounder
- Can be adapted to the respective roof with shims Part-no. 94701-02 and 94702-05 to the respective roof

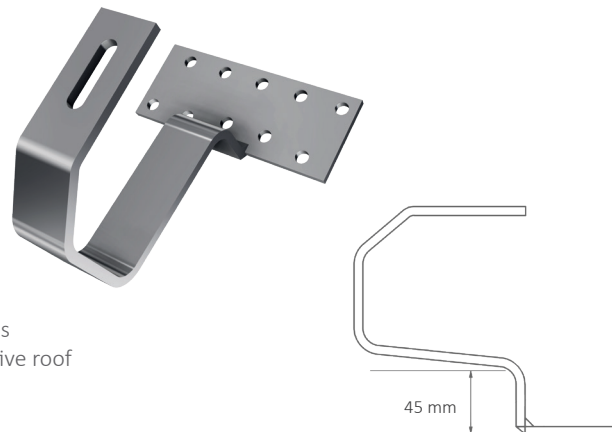


Roof hook			
Part-no.13135-01	SL-A2-35	35 mm Roof batten height	20 pieces per PU
Part-no. 13145-01	SL-A2-45	45 mm Roof batten height	20 pieces per PU
Part-no. 13145-02	SL-A2-45 X	45 mm Roof batten height, for heavy snow loads	10 pieces per PU

Roof hook SL-A2-light

- **Lowest cost variant**

- Suitable for a roof batten height of 45 mm
- Horizontal and vertical direct mounting of the module support profiles
- Simple and proven construction
- Can be attached to the respective roof by means of shims Part-no. 94701-02 and 94702-05 to adapt to the respective roof

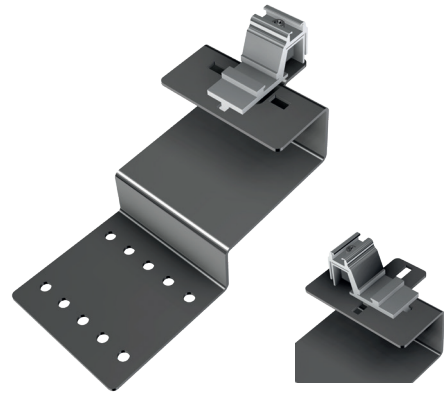


Roof hook			
Part-no. 13101-01	SL-A2-light	45 mm Roof batten height	20 pieces per PU

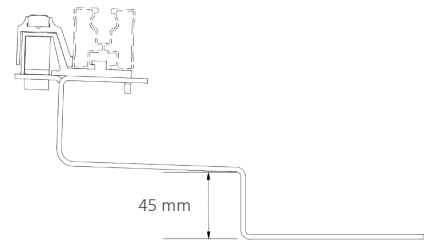
Roof hooks SL-A2 for tegalit roof tiles

- Screw connection of the clamping screw as well as the clamps of the RAILS with TX 40
- Refined hook without weld seam
- Designed for flat concrete slabs
- Lateral adjustment possible due to the screw-on plate
- Proven and simple suspension technique
- Maximum compatibility for common Tegalit tiled roofs

- The rail is fixed with the cross connector
- Cross connector can be modified for vertical attachment of the RAIL



Variation possibility vertical

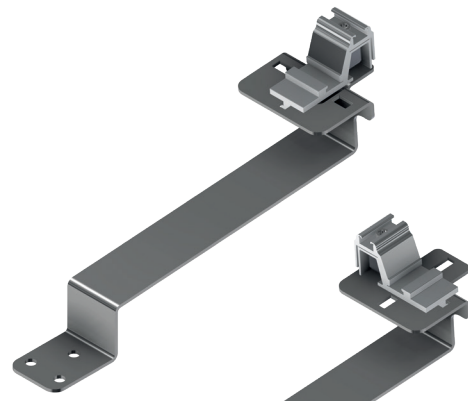


Roof hooks		
Part-no. 13105-00	SL-A2 tegalit	10 pieces per PU

Roof hooks SL-A2 for plain tile Roof tiles

- Screw connection of the clamping screw as well as the clamps of the RAILS with TX 40
- Refined hook without weld seam
- Designed for plain tile roof panels
- Proven and simple hooking technique

- The rail is fixed with the cross connector
- Cross connector can be modified for vertical attachment of the RAIL

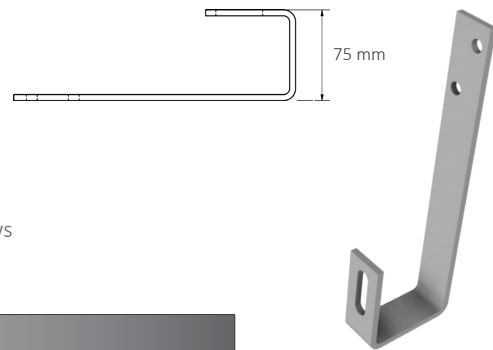


Variation possibility vertical

Roof hooks		
Part-no. 13106-00	SL-A2 plain tile	10 pieces per PU

Roof hooks SL-A2 for slate roof

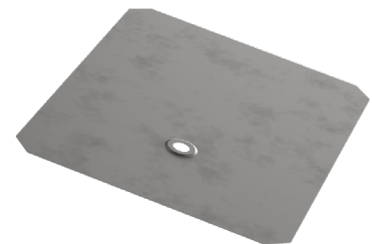
- Can be used for slate roofs and shingle roofs
- For mounting aluminium rails, profile rails and fastening rails
- Quickly screwed onto the spars of the roof with 2 pan head screws



Roof hooks		
Part-no. 13107-00	SL-A2 slate roof	10 pieces per PU

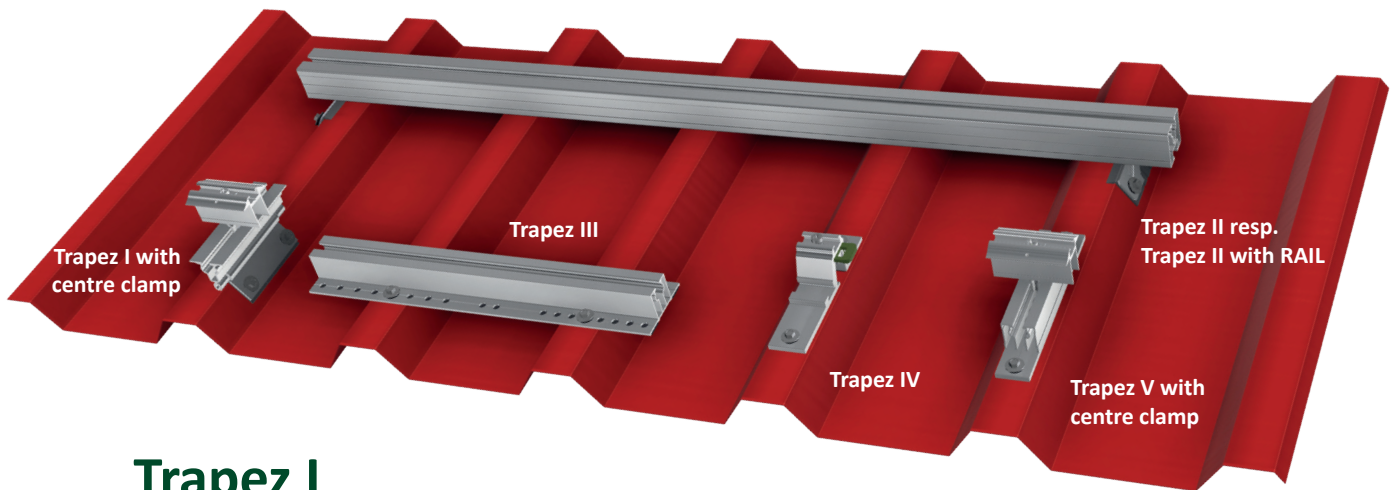
Slate replacement plate

- Reliable and simple assembly
- Product for the connection of hanger bolts to shingle roofing e.g. of bitumen, fibre cement or slate
- Suitable for roof-parallel applications and elevations in conjunction with hanger bolts
- Direct and thus firm connection with the roof substructure



Slate replacement plate		
Part-no. 13501-270	Slate replacement plate 200 x 270 mm	100 pieces per PU
Part-no. 13501-370	Slate replacement plate 200 x 370 mm	100 pieces per PU
Part-no. 13501-580	Slate replacement plate 200 x 580 mm	100 pieces per PU





Trapez I

▪ **Very low-cost and extremely material-saving fastening variant for horizontal module arrangement on the trapezoidal sheet metal roof**

- Adapts steplessly to the trapezoidal sheet geometry
- The integrated EPDM rubber ensures the necessary the necessary tightness for the screw connection

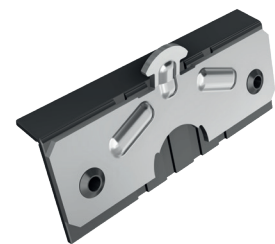
Trapezoidal roof		
Part-no. 11201-01	Trapez I	100 pieces per PU



Trapez II

- Simplest form of profile mounting on the trapezoidal sheet metal roof.
- The integrated EPDM rubber ensures the necessary tightness for the screw connection
- The mounting in the lower channel of the RAIL support rails is guaranteed by standardisation
- Also available as a set (Trapez II with RAIL, Part-no. 13202-02, consisting of 1x RAIL 40 support rail and 2 Trapez II)

Trapezoidal roof		
Part-no. 13202-01	Trapez II	200 pieces per PU

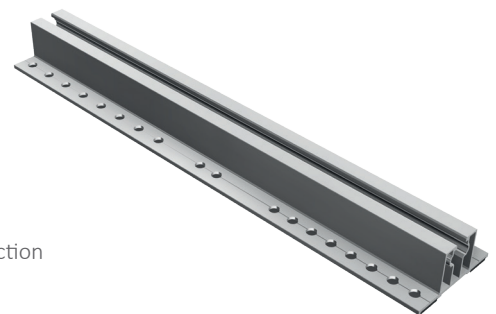


Trapez III

- **Conveniently bolted from above**
- **Since Trapez III rests directly on the high bead, there is a the greatest possible distance to the water-bearing layer**
- **Good accessibility - low error rate when screwing onto the roof**

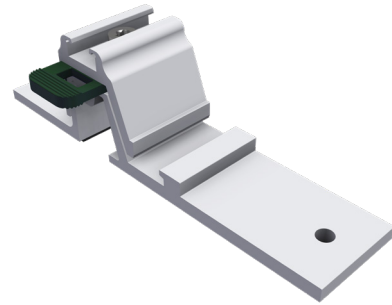
- The screw channel for the system connection is integrated in the profile
- Two EPDM rubber strips ensure the necessary tightness for the screw connection

Trapezoidal roof		
Part-no. 11205-03	Trapez III	50 pieces per PU



Trapez IV

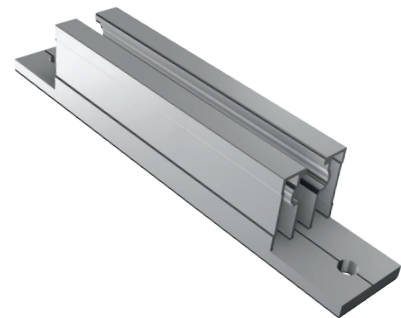
- Convenient to screw on from above
 - With integrated plastic spacer for an optional optional sliding fastening of the mounting rail to compensate for expansion due to heat
 - As Trapez IV rests directly on the high bead, there is the greatest possible the greatest possible distance from the water-bearing layer
 - Due to the increased contact surface, higher forces can be transferred via the trapezoidal sheet
- EPDM rubber strips ensure the necessary sealing for the tightness of the screw connection



Trapezoidal roof		
Part-no. 91203-00	Trapez IV	100 pieces per PU

Trapez V

- Convenient to screw on from above
 - Since Trapez V rests directly on the high bead, there is the greatest possible distance maximum possible distance to the water-bearing layer
 - Additional sealing by screwing from above, This prevents water from penetrating into the roof
 - Due to the increased contact surface, higher forces can be transferred via the trapezoidal sheet
- The screw channel for the system connection is integrated in the profile
 - EPDM rubber strips ensure the necessary tightness for the screw connection
 - For horizontal module arrangement on the trapezoidal sheet metal roof



Trapezoidal roof		
Part-no. 11202-01	Trapez V	100 pieces per PU

Potential equalisation plate

- To transfer the potential of the system/modules to the trapezoidal roof*
 - Applicable for all our trapezoidal systems
- * The functional capability of the potential equalisation plate requires earthing of the trapezoidal sheet metal roof.

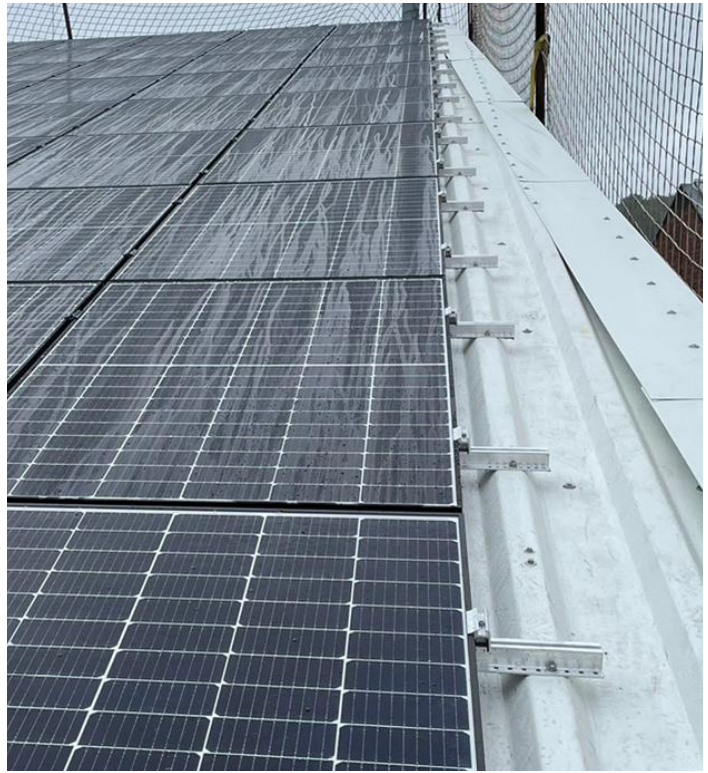


Trapezoidal roof		
Part-no. 93201-00	Potential equalisation plate	100 pieces per PU

TRAPEZ



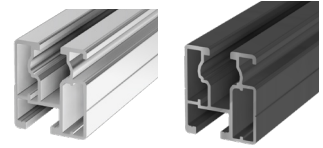
TRAPEZ



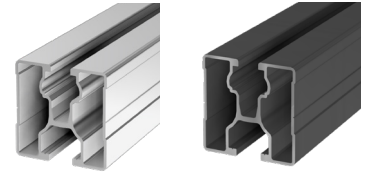
RAIL-mounting profiles

- The deeper upper screw channel allows the use of module clamps for frame heights of 30 - 50 mm
 - Compatible with other systems on the market
 - Available in various lengths and anodized in black
 - Optimised for retaining claw, 100 % compatible with roof hooks
- Very easy to handle: fits well in the hand, easy to stack
 - Same weight/static as comparable products on the market
 - Different span widths possible depending on rail height (RAIL 60 and 120 for larger spans)
 - Better accessibility for plugs and better ventilation of the PV system of the PV system with RAIL 120
 - Weight-optimised mounting rail RAIL 35 for low loads

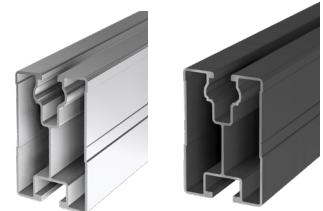
Module mounting rails		
Part-no. 81135-4350	RAIL 35- 4350 mm	150 pieces per PU
Part-no. 86135-4350	RAIL 35- 4350 mm, black anodized	150 pieces per PU
Part-no. 81135-5400	RAIL 35- 5400 mm	150 pieces per PU
Part-no. 86135-5400	RAIL 35- 5400 mm, black anodized	150 pieces per PU
Part-no. 81140-4350	RAIL 40- 4350 mm	150 pieces per PU
Part-no. 86140-4350	RAIL 40- 4350 mm, black anodized	150 pieces per PU
Part-no. 81140-5400	RAIL 40- 5400 mm	150 pieces per PU
Part-no. 86140-5400	RAIL 40- 5400 mm, black anodized	150 pieces per PU
Part-no. 81160-4350	RAIL 60- 4350 mm	98 pieces per PU
Part-no. 86160-4350	RAIL 60- 4350 mm, black anodized	98 pieces per PU
Part-no. 81160-5400	RAIL 60- 5400 mm	98 pieces per PU
Part-no. 86160-5400	RAIL 60- 5400 mm, black anodized	98 pieces per PU
Part-no. 81112-4350	RAIL 120- 4350 mm	60 pieces per PU
Part-no. 81112-5400	RAIL 120- 5400 mm	60 pieces per PU
Part-no. 81107-01-4350	RAIL 7 bottom- 4350 mm	84 pieces per PU
Part-no. 81107-01-5400	RAIL 7 bottom - 5400 mm	84 pieces per PU
Part-no. 81107-00-4350	RAIL 7 top- 4350 mm	40 pieces per PU
Part-no. 81107-00-5400	RAIL 7 top- 5400 mm	40 pieces per PU



RAIL 35



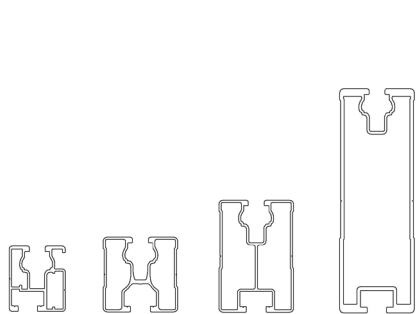
RAIL 40



RAIL 60



RAIL 120

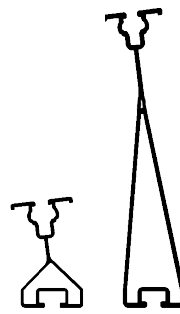


RAIL 35

RAIL 40

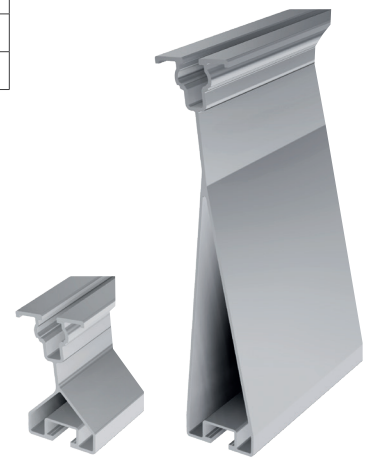
RAIL 60

RAIL 120



RAIL 7
bottom

RAIL 7
top

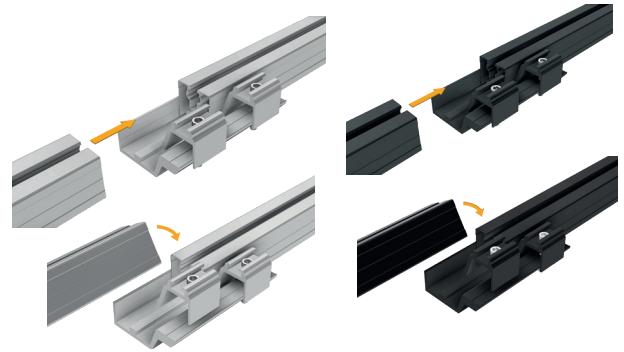


RAIL 7
bottom

RAIL 7
top

External connector RAIL

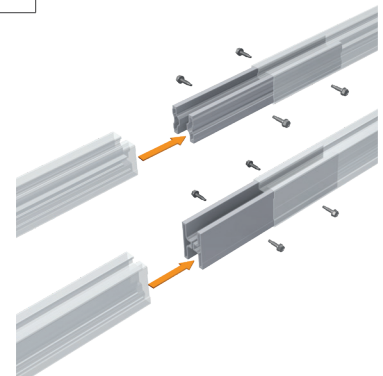
- Conveniently screwed from above
 - Only one tool required: TX 40
 - Also available in black anodized finish
 - Universally compatible with other profiles on the market
- Easiest and quickest connection of module support profiles
 - Universally applicable for all profile sizes with the same static characteristic values of a rail



External connector for all RAILS		
Part-no. 81140-05	External connector RAIL	50 pieces per PU
Part-no. 86140-05	External connector RAIL, black anodized	50 pieces per PU

Internal connector RAIL

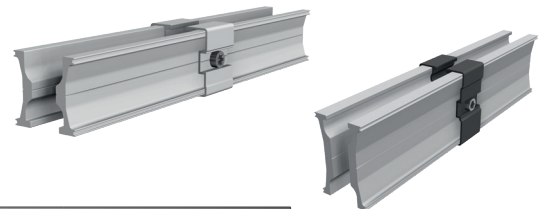
- Including two drilling screws each, Part-no. 93148-20
- For the two most common profile sizes
- Please note that for the proper connection of the RAILS two internal connectors are required for each connection!



Internal connector RAIL		
Part-no. 81140-01	Internal connector RAIL 40	150 pieces per PU
Part-no. 81160-01	Internal connector RAIL 60	150 pieces per PU

Internal connector with carrier

- For connecting module support profiles without possibly interfering external structure

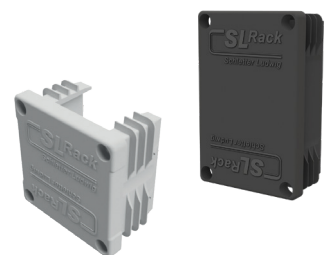


Internal connector with carrier		
Part-no. 81140-02	Internal connector with carrier RAIL 40	50 pieces per PU
Part-no. 86140-02	Internal connector with carrier RAIL 40, black anodized	50 pieces per PU
Part-no. 81160-02	Internal connector with carrier RAIL 60	50 pieces per PU
Part-no. 86160-02	Internal connector with carrier RAIL 60, black anodized	50 pieces per PU

Profile end caps

- With openings for drainage
- Compatible with other systems on the market

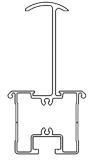
Profile end caps		
Part-no. 94640-06	Plastic end cap RAIL 40 grey	500 pieces per PU
Part-no. 94640-05	Plastic end cap RAIL 40 black	500 pieces per PU
Part-no. 94660-06	Plastic end cap RAIL 60 grey	250 pieces per PU
Part-no. 94660-05	Plastic end cap RAIL 60 black	250 pieces per PU



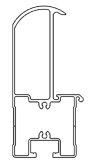
Module support profiles ES

- Insertion system, specially designed for fast and therefore cost-efficient assembly
- Black anodized for an attractive appearance and a harmonious overall appearance on the roof
- Inserts available to compensate for different module heights

- Optimised warehousing due to lower number of parts/components
- Easy maintenance and demountability
- Made of extruded aluminium profiles
- Optionally available as special solutions
- End cover ES, Part-no. 86525-00, available separately



ESM-profile



ESU-profile

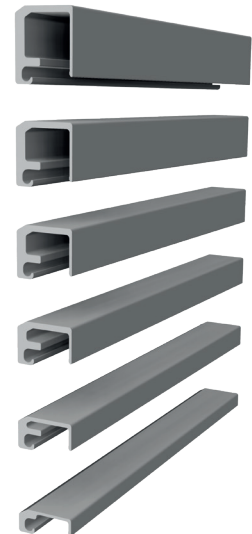
Module support profiles, black anodized		
Part-no. 86500-01-6000	Module profile ESM- length 6000 mm	72 pieces per PU
Part-no. 86500-02-6000	Module profile ESU- length 6000 mm	84 pieces per PU

Inserts

- The heights of the different inserts are matched to the established module heights on the PV market

- Inserts to compensate for different module heights in the insertion system

Inserts		
Part-no. 81501-18-150	Insert for module height 30- 32 mm	250 pieces per PU
Part-no. 81501-15-150	Insert for module height 33- 35 mm	250 pieces per PU
Part-no. 81501-12-150	Insert for module height 36- 38 mm	250 pieces per PU
Part-no. 81501-09-150	Insert for module height 39- 41 mm	250 pieces per PU
Part-no. 81501-06-150	Insert for module height 42- 44 mm	250 pieces per PU
Part-no. 81501-03-150	Insert for module height 45- 47 mm	250 pieces per PU



End cap ES

- For ESM and ESU module support profiles
- Incl. two fixing screws, Part-no. 93139-32

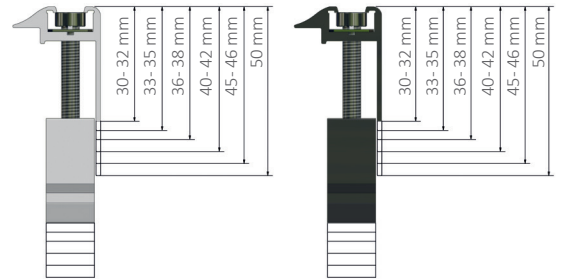
End cap		
Part-no. 86525-00	End cap black	50 pieces per PU



Centre clamps and end clamps Vario

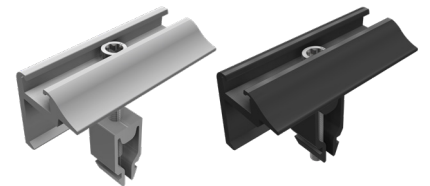
- Middle and end clamp Vario can be used for all PV systems
- Conveniently screwed from above
- Only one tool required: TX 40
- End clamp for frame heights of 30 - 50 mm
- Lift and turn to prevent unintentional turning during assembly
- When dismantling, the entire clamp lifts off
- Also available in black anodized finish
- Centre clamp Vario for frame heights of 30 - 50 mm, optionally including earthing pin for equipotential bonding

- Easy handling due to compact design



End clamps for frame heights 30- 32 mm, 33- 35 mm, 36 - 38 mm, 40- 42 mm, 45- 46 mm and 50 mm

Module clamps		
Part-no. 91112-00	End clamp Vario	100 pieces per PU
Part-no. 96112-00	End clamp Vario, black anodized	100 pieces per PU
Part-no. 91113-31	End clamp 30-32 mm	100 pieces per PU
Part-no. 96113-31	End clamp 30-32 mm, black anodized	100 pieces per PU
Part-no. 91113-34	End clamp 33-35 mm	100 pieces per PU
Part-no. 96113-34	End clamp 33-35 mm, black anodized	100 pieces per PU
Part-no. 91113-37	End clamp 36-38 mm	100 pieces per PU
Part-no. 96113-37	End clamp 36-38 mm, black anodized	100 pieces per PU
Part-no. 91113-41	End clamp 40-42 mm	100 pieces per PU
Part-no. 96113-41	End clamp 40-42 mm, black anodized	100 pieces per PU
Part-no. 91113-45	End clamp 45-46 mm	100 pieces per PU
Part-no. 96113-45	End clamp 45-46 mm, black anodized	100 pieces per PU
Part-no. 91113-50	End clamp 50 mm	100 pieces per PU
Part-no. 96113-50	End clamp 50 mm, black anodized	100 pieces per PU
Part-no. 91121-01	Centre clamp Vario with earthing	100 pieces per PU
Part-no. 96141-01	Centre clamp Vario with earthing, black anodized	100 pieces per PU
Part-no. 91151-01	Centre clamp Vario	100 pieces per PU
Part-no. 96151-01	Centre clamp Vario, black anodized	100 pieces per PU



End clamps Vario for frame height 30- 50 mm

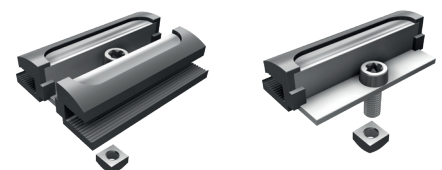


Centre clamps Vario for frame height 30- 50 mm

Laminate clamps

- Laminate clamps for frameless thin-film modules with a thickness of 6.8 mm
- The long clamping length of 70 mm and the corrugated EPDM rubber guarantee secure clamping of frameless of the frameless photovoltaic modules

Laminate clamps		
Part-no. 91601-68	Laminate centre clamp	100 pieces per PU
Part-no. 91601-69	Laminate end clamp	100 pieces per PU



Laminate centre clamp

Laminate end clamp

SL Plan Hanger bolt set

- Universal profile holder for RAIL support rails
- For sealing via EPDM rubber and pressure dome to protect the seal from the seal from UV radiation and to maintain the sealing function
- Can be screwed into wooden construction

SL Plan Hanger bolt set		
Part-no. 23310-200	External hexagon M10 x 200 mm	50 pieces per PU
Part-no. 23310-300	External hexagon M10 x 300 mm	50 pieces per PU
Part-no. 23312-200	External hexagon M12 x 200 mm	50 pieces per PU
Part-no. 23312-300	External hexagon M12 x 300 mm	50 pieces per PU

Sealing plate

- Supplement to the SL Plan hanger bolt set
- For balanced load distribution
- Highest impermeability for bitumen roofs and bitumen shingle roofs

Sealing plate		
Part-no. 23201-00	Sealing plate	100 pieces per PU

Bitu-Pad

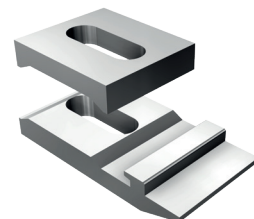
- Supplement to the SL Plan hanger bolt set
- For optimum sealing on bitumen roofs
- Self-adhesive

Bitu-Pad		
Part-no. 23201-03	Bitu-Pad	100 pieces per PU

Hanger bolt attachment

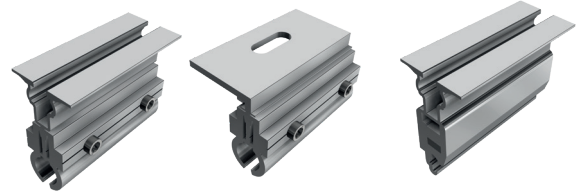
- For universal mounting of RAIL support rails with lower 10.5 mm groove

Hanger bolt attachment		
Part-no. 11301-10	Size M10	150 pieces per PU
Part-no. 11301-12	Size M12	150 pieces per PU



Folding clamps

- Clamps for industrial standing seam roof with bead and for roll-profiled standing seam roofs made of aluminium
- Quick and easy mounting with only one tool
- For vertical installation, can be combined with the cross connector Part-no. 91202-00 (For PRO SF seam clamps and clamps for industrial standing seam roof with bead, horizontal)
- Suitable for titanium zinc, sheet metal standing seam and sheet steel standing seam roofs, not suitable for copper roofs
- For short support rails with a total length of 4350 mm



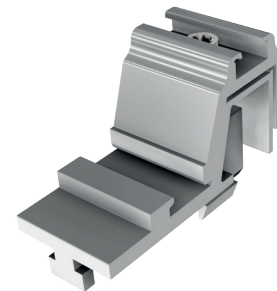
Horizontal and vertical clamp for industrial standing seam roof with bead (Ø 18 mm)

Fold clamp PRO SF horizontal

Folding clamps		
Part-no. 11401-01	Clamp for industrial standing seam roof with bead (Ø 18 mm, horizontal)	50 pieces per PU
Part-no. 11401-02	Clamp for industrial standing seam roof with bead (Ø 18 mm, vertical)	50 pieces per PU
Part-no. 11401-05	PRO SF seam clamp for horizontal mounting on seam sheet roofs	100 pieces per PU

Cross connector

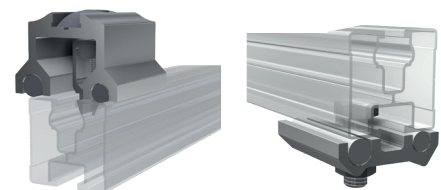
- **Conveniently screwed from above**
 - **Only one tool required: TX 40**
 - **Lightning current carrying capacity is given**
- Easy 90° cross-connection of module support profiles
 - Enables the connection of 8.5 mm to the lower 10.5 mm groove



Cross connector		
Part-no. 91202-00	Cross connector	100 pieces per PU

Lightning protection clamps

- **Part-no. 91518-00: Conveniently screwed from above and only one tool required: TX 40**
- Diameter 8 and 10 mm with only one clamp
 - With certification according to DIN EN 62561



Lightning protection clamp*

Lightning protection clamp, low

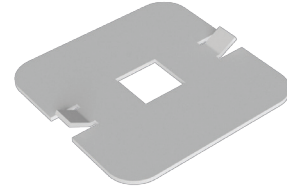
Lightning protection clamps		
Part-no. 91518-00	Lightning protection clamp	100 pieces per PU
Part-no. 91520-00	Lightning protection clamp, low	100 pieces per PU

* Please observe the module frame height before installation (min. 45 mm)

Shim for clamp

- For easy enlargement of the support surface under the solar module
- Made of aluminium

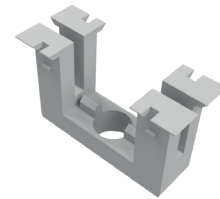
Shim for clamp		
Part-no. 91701-00	Shim for clamp	100 pieces per PU



Click-in module M8

- For simplified insertion of the square nut at any point on the RAIL mounting rails
- Enables universal fastening of various components

Click-in module M8		
Part-no. 94301-00	Click-in module M8	100 pieces per PU



Square nuts

Square nuts		
Part-no. 93304-08	Square nuts M8	200 pieces per PU



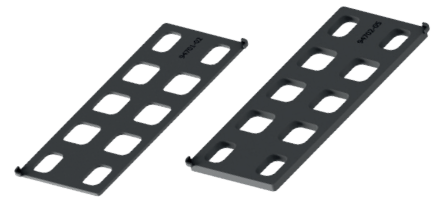
Hexagon nuts

Hexagon nuts with flange and underhead locking teeth		
Part-no. 93306-10	Hexagon nuts M10	100 pieces per PU



Shim plates for roof hooks

Shim plates for roof hooks		
Part-no. 94701-02	Shim plate: 2 mm, 150 x 60 mm	100 pieces per PU
Part-no. 94702-05	Shim plate: 5 mm, 150 x 60 mm	50 pieces per PU



Drilling screws

Drilling screws		
Part-no. 93155-25	Self-tapping 5.5 x 20-25 DS 16 mm for trapezoidal variants	100 pieces per PU
Part-no. 93160-25	Self-tapping 6.0 x 25-25 DS 16 mm for trapezoidal variants	100 pieces per PU
Part-no. 93155-26	With drill point 5.5 x 25 DS 16 mm for trapezoid variants	100 pieces per PU
Part-no. 93148-20	With drill point 4.8 x 20 for internal connector RAIL	100 pieces per PU



Hexagon head screw

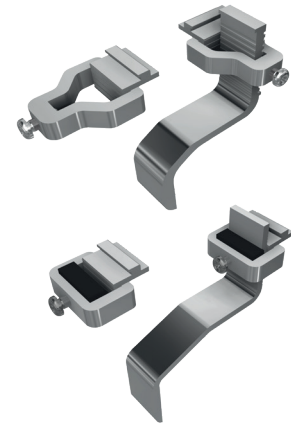
Hexagon head screw		
Part-no. 93110-25	Hexagon head screw M10 x 25 mm	100 pieces per PU



Clamp combinations

- For all roof hooks with clamp combination
- Alternative to the cross connector
- Can be used in many different ways
- RAIL can be fixed directly onto the roof hooks
- Saves time during assembly

Clamp combinations		
Part-no. 11105-05	Clamp combination, vertical	100 pieces per PU
Part-no. 13101-05	Clamp combination, horizontal	100 pieces per PU



Perforated aluminium tape

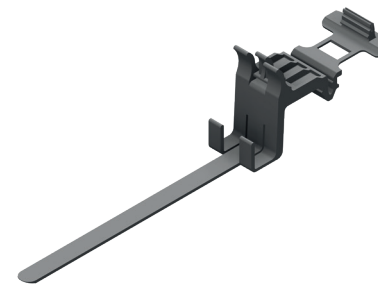
Perforated aluminium tape to the potential connection		
Part-no. 91827-50	Perforated aluminium tape	1 piece per PU



Cable clip support profile

- Space for one MC4 (PV) connector and up to 15 cables with Ø 5.4 mm each
- Suitable for the upper screw channel of all RAIL mounting rail profiles
- Reclosable and thus easy to reposition
- Made of UV- and weather-resistant plastic in matt black

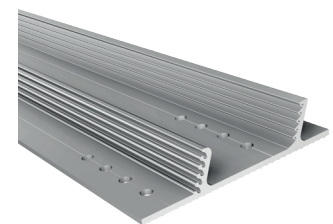
Cable clip support profile		
Part-no. 91402-00	Cable clip support profile	100 pieces per PU



Rafter spanning profile

- Provides greater stability and better weight distribution
- For bridging, for example with skylights
- Available in a length of 2000 mm
- For suspending roof hooks of the Vario SL-Alu series

Rafter spanning profile		
Part-no. 11101-2000	Rafter spanning profile 2m	4 pieces per PU



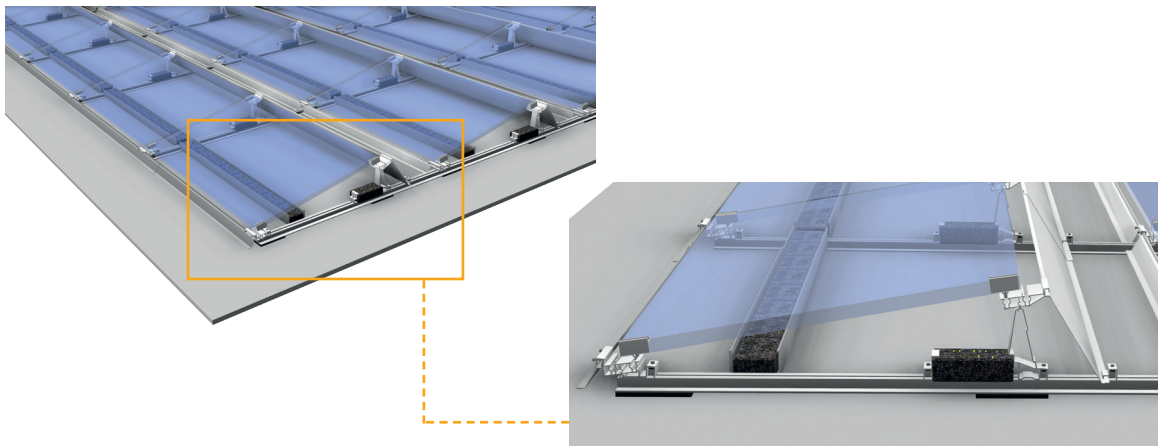
Wood screws plate head

Wood screws		
Part-no. 92106-08	Wood screw plate head 6x80 mm TX 30	100 pieces per PU
Part-no. 92106-10	Wood screw plate head 6x100 mm TX 30	100 pieces per PU
Part-no. 92106-12	Wood screw plate head 6x120 mm TX 30	100 pieces per PU
Part-no. 92108-08	Wood screw plate head 8x80 mm TX 40	50 pieces per PU
Part-no. 92108-10	Wood screw plate head 8x100 mm TX 40	50 pieces per PU
Part-no. 92108-12	Wood screw plate head 8x120 mm TX 40	50 pieces per PU
Part-no. 92108-28	Wood screw plate head 8x280 mm TX 40	50 pieces per PU



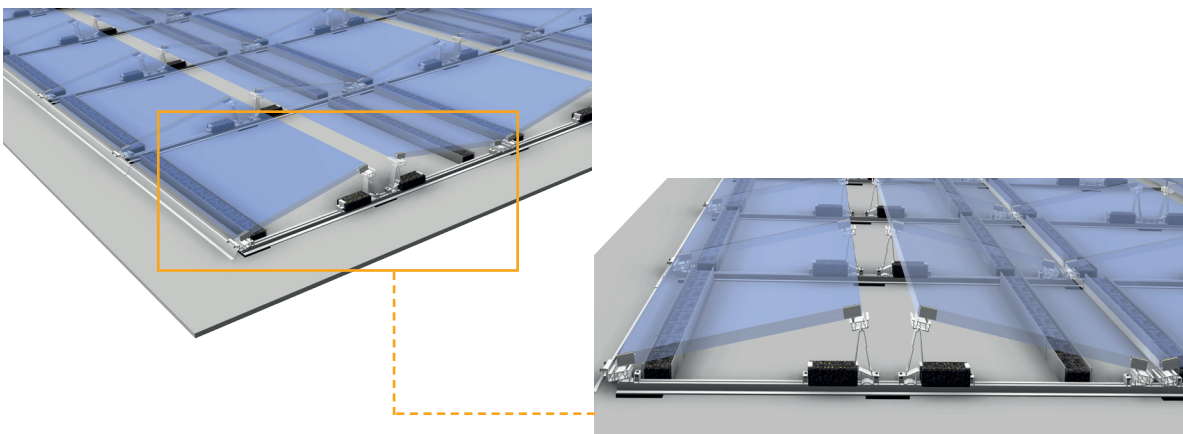
SL Rack flat roof system south

FLA S (Flat Roof Elevation System South), the only system on the market with an alternative clamping option on the long side. This system impresses with its light but robust aluminium construction and the small number of components, which keeps installation quick and simple. The optimisation according to the latest aerodynamic aspects (wind load calculation with IFI expert opinion) enables low ballasting. Joints on the (module) holder ensure tension-free module mounting. Specially designed for industrial flat foil roofs with module inclinations of 10° and 15° in south orientation.



SL Rack flat roof system east/west

FLA EW (Flat Roof Elevation System East/West): As with its „little brother“ (FLA S), this system combines all advantages at once. Not even the integrated maintenance aisle for good accessibility and the optional use of wind deflectors for an optimised air flow in case of expected very strong wind forces have been mentioned. These minimise both the thrust forces and the use of ballast. Due to the chimney effect created here, the modules are not pushed up by the wind forces, but sucked in. Another advantage besides aerodynamics is the more efficient utilisation of solar radiation (day curve), also with regard to self-consumption. **Both alignment variants of the SL Rack flat-roof system are largely based on identical components, making it even easier for you to make the right choice.**



FLA holder top

- Conveniently screwed from above
 - Only one tool required: TX 40
 - The modules can be clamped on the wide and long side on the long side
 - The swivelling bearing ensures that the solar modules can be of the solar modules is achieved
- Available as a top bracket for a south- or east/west-facing system as well as for 10° or 15° inclination
 - The bracket is mounted in a swivelling manner
 - Available in two different heights
 - The brackets are equipped with two screw channels
 - The holder of the south version is equipped with a channel for attaching the wind deflector plates
 - Quick to assemble, proven connection system

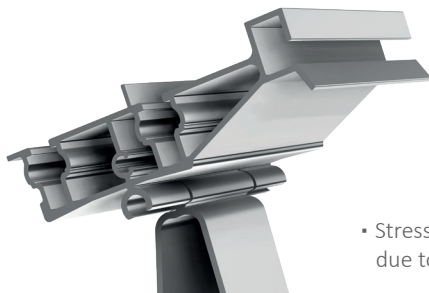
FLA holder top		
Part-no. 21103-10	FLA holder top 10° EW	12 pieces per PU
Part-no. 21103-15	FLA holder top 15° EW	10 pieces per PU
Part-no. 21102-10	FLA holder top 10° S	12 pieces per PU
Part-no. 21102-15	FLA holder top 15° S	12 pieces per PU



FLA holder top 10° EW



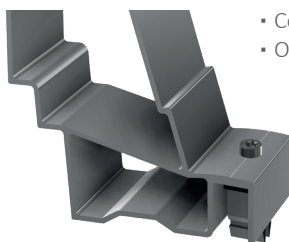
FLA holder top 15° EW



- Stress-free mounting of the modules due to swivelling bearing



FLA holder top 10° S



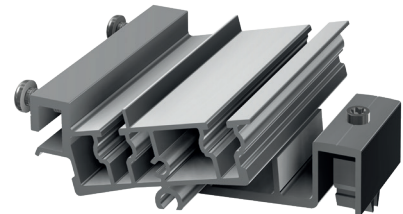
- Conveniently screwed from above
- Only one tool required: TX 40



FLA holder top 15° S

FLA holder bottom

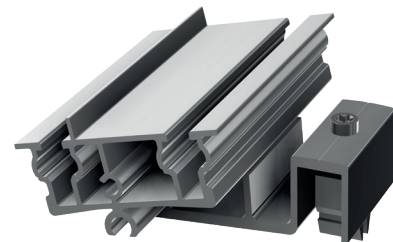
- Conveniently screwed from above
 - Only one tool required: TX 40
 - The swivelling bearing ensures that the solar modules are of the solar modules is achieved
 - All module widths can be covered, as the holder can be easily moved effortlessly along the rail.
 - The FLA holder at the bottom enables longitudinal clamping
- Holder suitable for system 10° and 15° as well as south and east/west
 - Use in combination with wind deflector plate, part no. 21201-2280
 - Wind deflector plate is hooked into the holder, aligned laterally and screwed down
 - The module clamps can be attached to both the wide and the long side of the solar modules
 - Quick to install, proven connection system
 - Can be used in combination with the FLA holder top



FLA holder bottom		
Part-no. 21100-00	FLA holder bottom	24 pieces per PU

FLA holder bottom centre

- Conveniently screwed from above
 - Only one tool required: TX 40
 - The swivelling bearing ensures that the solar modules are of the solar modules is achieved
 - All module widths can be covered, as the holder can be easily moved effortlessly along the rail.
 - The FLA holder at the bottom centre allows for longitudinal side clamping
- The FLA holder is rotatably mounted on the holder plate in order to compensate for the different different angles of attack for modules of different widths
 - Due to the two screw channels it is possible to clamp modules both on the wide and the long side
 - Quick to install, proven connection system



FLA holder bottom centre		
Part-no. 21103-00	FLA holder bottom centre	24 pieces per PU

Ballast clamp

- Conveniently screwed from above
- Only one tool required: TX 40
- The ballast clamp enables the ballast stone to be fastened on the floor rail is made possible
- The claw is snapped into the screw channel and can still be moved and positioned freely until the screw is tightened



Ballast clamp		
Part-no. 21106-60	Ballast clamp	100 pieces per PU

Ballast tub

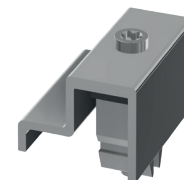
- For filling with ballast stones depending on the design of the ballast plan
- Ballast tub is placed on the lower extension of the bottom rail
- Sheets adjustable in length to be able to cover the different lengths of the solar modules



Ballast tub		
Part-no. 22101-00	Ballast tub	20 pieces per PU

Wind deflector plate holder

- Conveniently screwed from above
- Only one tool required: TX 40
- For fastening the wind deflector plates
- Is fixed on the floor rail

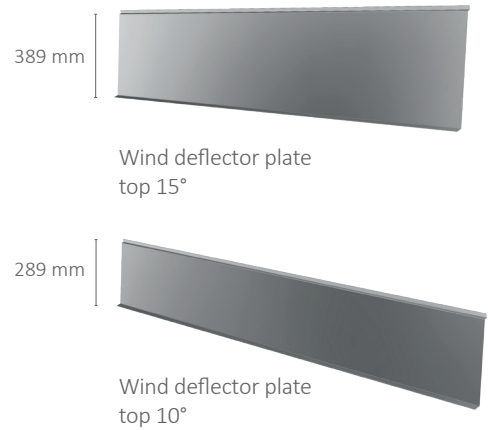


Wind deflector plate holder		
Part-no. 21104-00	Wind deflector plate holder	200 pieces per PU

Wind deflector plate top

- Guide the wind over the solar modules
- Prevent the solar modules from lifting off
- Length 2280 mm

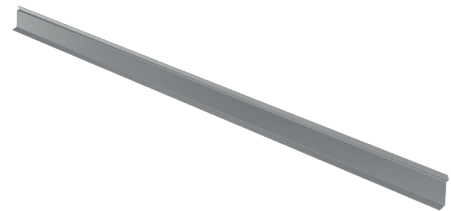
Wind deflector plate top		
Part-no. 21202-2280	Wind deflector plate top 10°	20 pieces per PU
Part-no. 21207-2280	Wind deflector plate top 15°	20 pieces per PU



Wind deflector plate bottom

- 10° and 15° south, east/west
- Guide the wind over the solar modules
- Inner wind deflector plates on each module row with south system
- Wind deflector plates only at the beginning or end of a module row in east/west system
- When used as inner sheet (south), the individual sheets must be shortened to the appropriate length (dimensional determination: module length minus 37 mm)

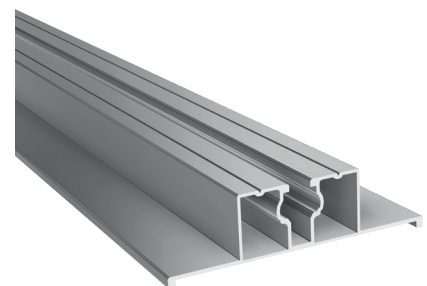
Wind deflector plate bottom		
Part-no. 21201-2280	Wind deflector plate bottom	20 pieces per PU



Bottom rail

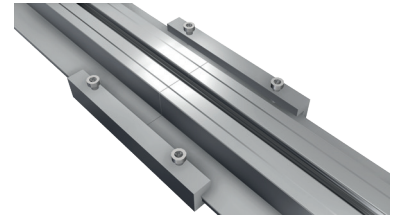
- The extruded profile is used to fasten the FLA holders at the top and bottom
- Enables shifting and alignment in longitudinal direction of the FLA holders at the top and bottom
- Can be combined with the structural protection mats Part-no. 25101-200 and 25102-200 on the underside to transfer forces to the roof cladding

Bottom rail		
Part-no. 21101-4350	Bottom rail 4350 mm	150 pieces per PU



Rail connector

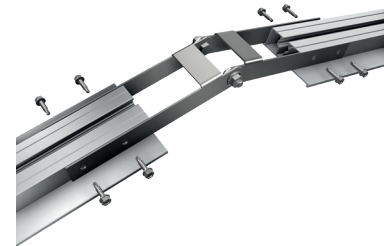
- Conveniently screwed from above
- Only one tool required: TX 40
- The rail connectors allow the positive and non-positive connection of several floor rails



Rail connector		
Part-no. 21105-00	Rail connector	100 pieces per PU

Ridge connector

- Ridge connector for securing flat roof superstructures over the ridge
- Easy assembly by means of drilling screws (included)
- Adaptation to any roof pitch due to the articulated joint

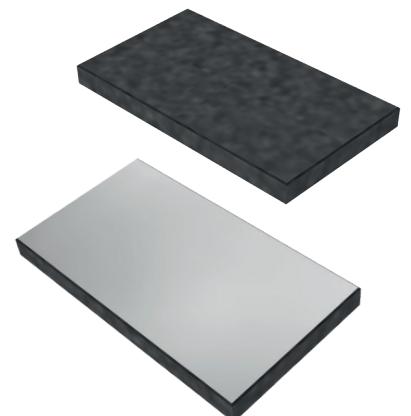


Ridge connector		
Part-no. 23401-00	Ridge connector	20 pieces per PU

Building protection mats

- **An aluminum lamination on the underside of the AKSK structural protection mat prevents the possible release of plasticizers to the plastic roof**

- Made of EPDM
- Transfers the force to the outer skin of the roof
- Is glued under the floor rail



Building protection mats		
Part-no. 25101-200	Building protection mat SK	50 pieces per PU
Part-no. 25102-200	Building protection matsAKSK with aluminum lamination	50 pieces per PU

FLAT ROOF SYSTEM



FLAT ROOF SYSTEM





Contact us for
your personal offer:

SL Rack GmbH
Münchener Straße 1
83527 Haag i. OB
E-Mail: sales@sl-rack.de
Phone: +49 8072 3767-0
www.sl-rack.com

Proven
optimized.

SL Rack
[Website](#)



SL Rack
[YouTube](#)



Subject to technical changes
and printing errors.
Status 10/2021 V35